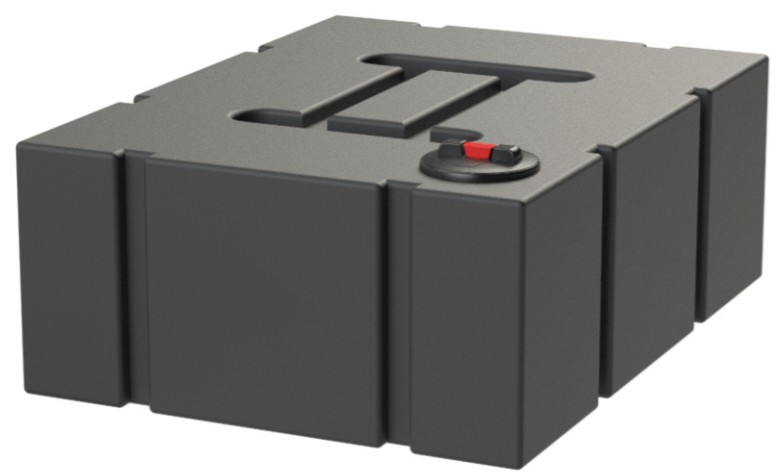
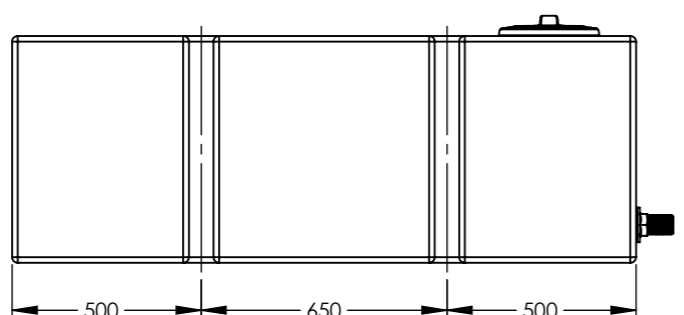


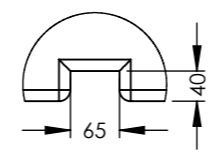
ITEM NO.	PART NUMBER	DESCRIPTION	QTY.
1	171710	1000L GREY WASTE TANK	1
2	135322	Ø255 SCREW LID & RIM	1
3	177915	1 1/2" HANSEN BSP (m) ADAPTOR	1



LEFT ISO VIEW
SCALE 1 : 25

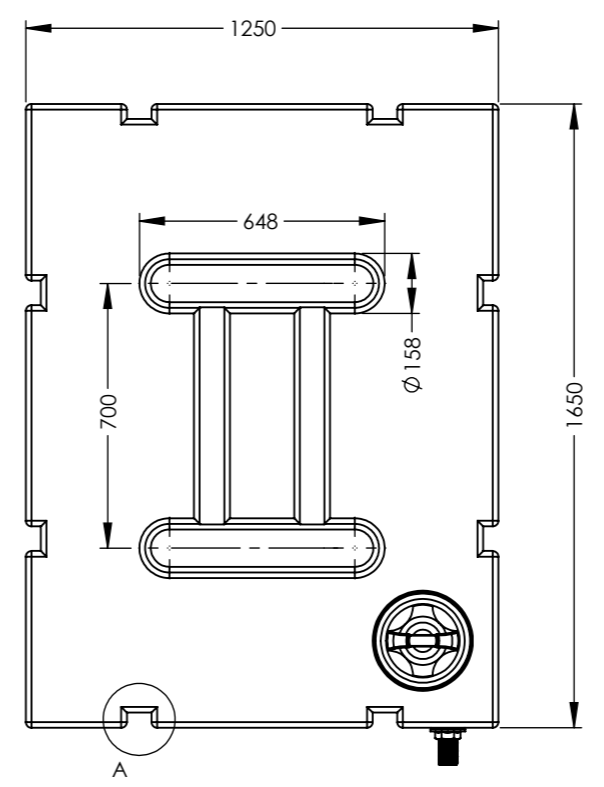


LEFT VIEW

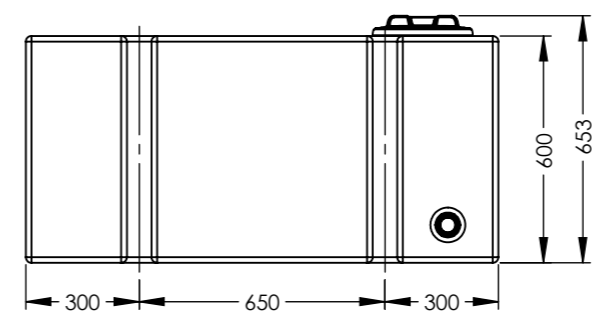


DETAIL A
SCALE 1 : 10

Empty weight 70kg



PLAN VIEW



FRONT VIEW

DESIGN DATA	
DESIGN PRESSURE: ATMOSPHERIC	MAXIMUM CAPACITY (LTRS):
DESIGN TEMPERATURE: 40°C	WORKING CAPACITY (LTRS):
WORKING PRESSURE: ATMOSPHERIC	APPROX. WEIGHT FULL (KGS):
WORKING TEMPERATURE: 40°C	APPROX. WEIGHT EMPTY (KGS):
MOULDED LIFTING LUGS: 4 - 0°, 90°, 180° & 270°	
METHOD OF SUPPORT: FIRM, FLAT, FULLY SUPPORTING BASE OF CONCRETE OR OTHER SUITABLE MATEREAL	

MATERIAL DATA
MATERIALS OF CONSTRUCTION:
MATRIX REVOLVE N-307. REVOLVE IS A HIGH DENSITY (0.939 g/cm3), LOW MELT (3.5 g/ 10 min) HEXENE POLYETHYLENE GRADE FOR ROTOMOULDING. THE GRADE IS FULLY PROTECTED AGAINST THERMAL AND LIGHT DEGRADATION: N-307 IS UV10 STABILISED.

INSPECTION AND TESTING
WORKS TEST: ALL TANKS ARE THICKNESS TESTED BY ULTRASOUND AFTER DEMOULD IN ADDITION AIR SUPPORTED LEAK TEST ARE CARRIED OUT ON FLANGE LINES.

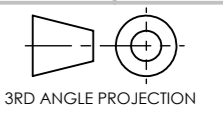
NOTE SECTION



These tanks are ideal for grey waste for construction site canteen cabins, They can collect all grey sink waste!

These are also great for events!

	NAME	SIGNATURE	DATE
DRAWN	LC	L.Crane	08/04/2022
CHECKED			



DO NOT SCALE DRAWING	REVISION: -
----------------------	-------------

DWG TITLE:
1000L FLAT SLIMLINE TANK - STANDARD OUTLET

DWG NO: 171710-B-1000-BAFFLED-F A3

SCALE:1:20 SHEET 2 OF 2