

Dimensions: 424mm Long x 174mm Wide x 197mm High

Tardis can supply most configurations of valves and hose fittings. Please specify when calling.



Standard working pressure using 25mm pipework 1.5 bar up to 60 metres

INSTALLATION AND USE

- Suitable for use with clean water and with liquids that are not chemically aggressive towards the materials from which the pump is made.
- The self-priming pumps are designed to pump water even in case where air is present.
- As a result of their reliability and the fact that they are easy to use, they are recommended for use in domestic applications such as the distribution of water in combination with small or medium sized pressure tanks, and for the irrigation of gardens and orchards, etc.

PERFORMANCE RANGE

- Flow rate up to 70 l/m (4.2m³/h)
- Head up to 60m



APPLICATION LIMITS

- Manometric suction lift up to 9m (HS)
- Liquid temperature between -10°C and +40°C
- Ambient temperature up to +40°C
- Max. working pressure 6 bar
- Continuous service S1

PLEASE NOTE: This pump is not waterproof or suitable for use in frosty conditions. We highly recommend adding a pump protection box to your order



110VEWP – APR 2017

Page 1/4

Tel: 0800 731 0589
www.tardishire.co.uk

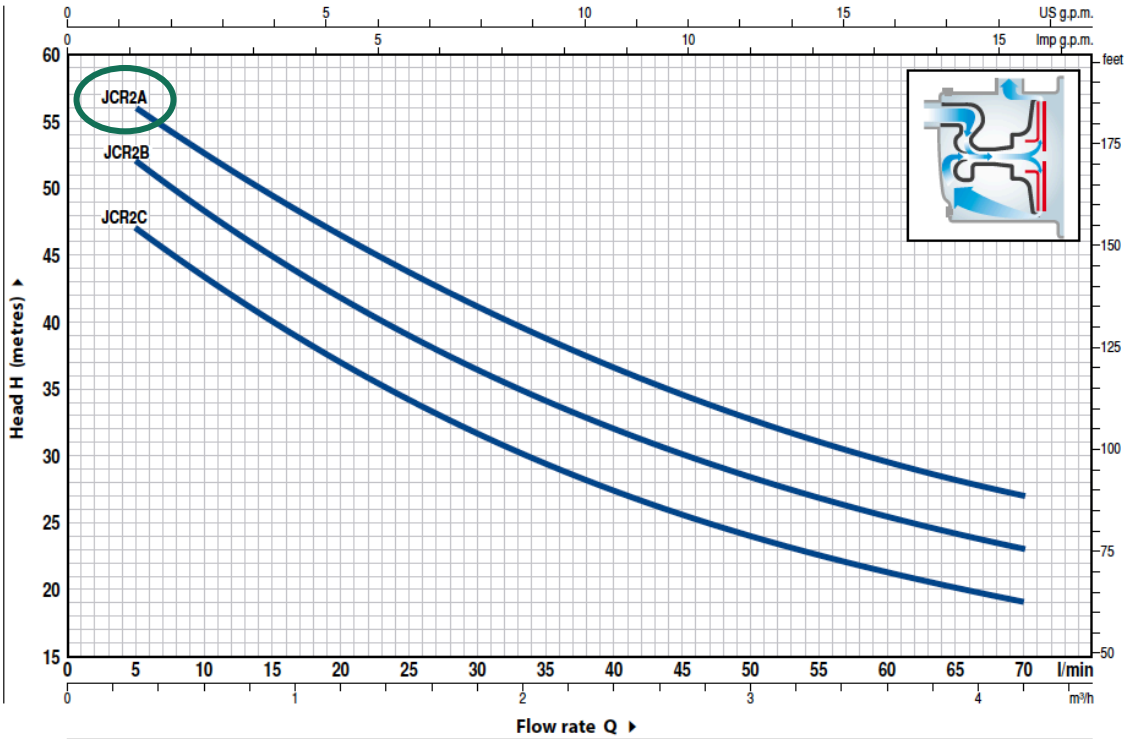




Dimensions: mm Long x mm Wide x mm High

CHARACTERISTIC CURVES AND PERFORMANCE DATA

50 Hz n= 2900 rpm HS= 0 m

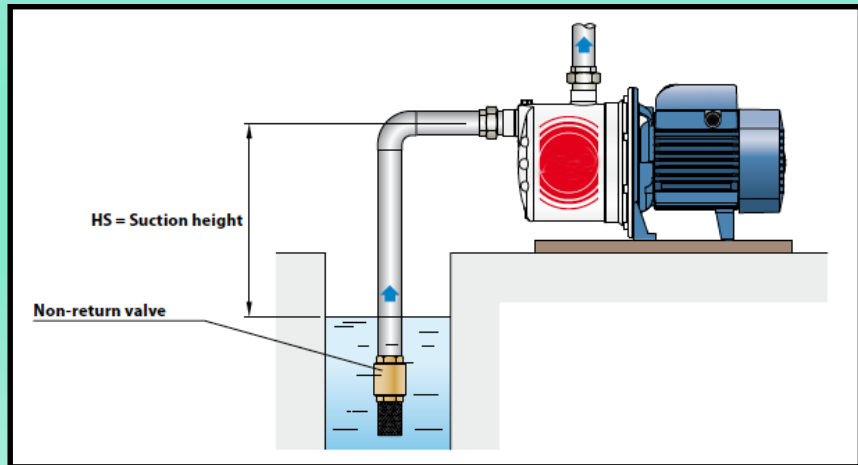


Q = Flow rate H = Total manometric head HS = Suction height

Tolerance of characteristic curves in compliance with EN ISO 9906 Grade 38

MODEL	POWER (P2)		Q	Flow rate													
	kW	HP		m³/h	0	0.3	0.6	1.2	1.5	1.8	2.4	2.7	3.0	3.6	4.2		
Single-phase				l/min	0	5	10	20	25	30	40	45	50	60	70		
JCRm 2A	1.1	1.5	H metres		60	56	53	46.5	43.5	41	36.5	34	32.5	29.5	27		

STANDARD INSTALLATION



110VEWP – APR 2017



Dimensions: mm Long x mm Wide x mm High

1 PUMP BODY Stainless steel AISI 304 complete, with threaded ports in compliance with ISO 228/1

2 BODY BACKPLATE Stainless steel AISI 304

3 NOZZLE ASSEMBLY Noryl FE1520PW

4 IMPELLER Stainless steel AISI 304

5 MOTOR SHAFT Stainless steel EN 10088-3—1.4104

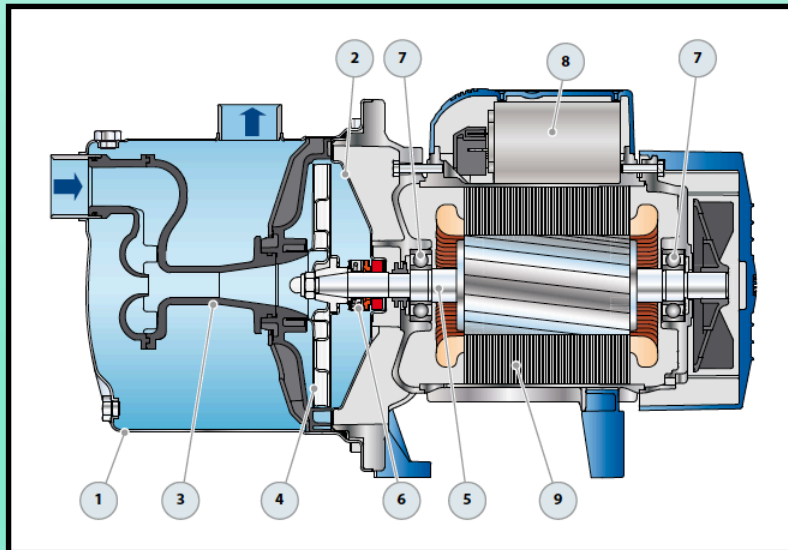
6 MECHANICAL SEAL	Seal Model	Shaft Diameter	Stationary ring	Materials Rotational ring	Elastomer
	AR-14	Ø 14mm	Ceramic	Graphite	NBR

7 BEARINGS 6203 ZZ / 6203 ZZ

8 CAPACITOR (110 V)

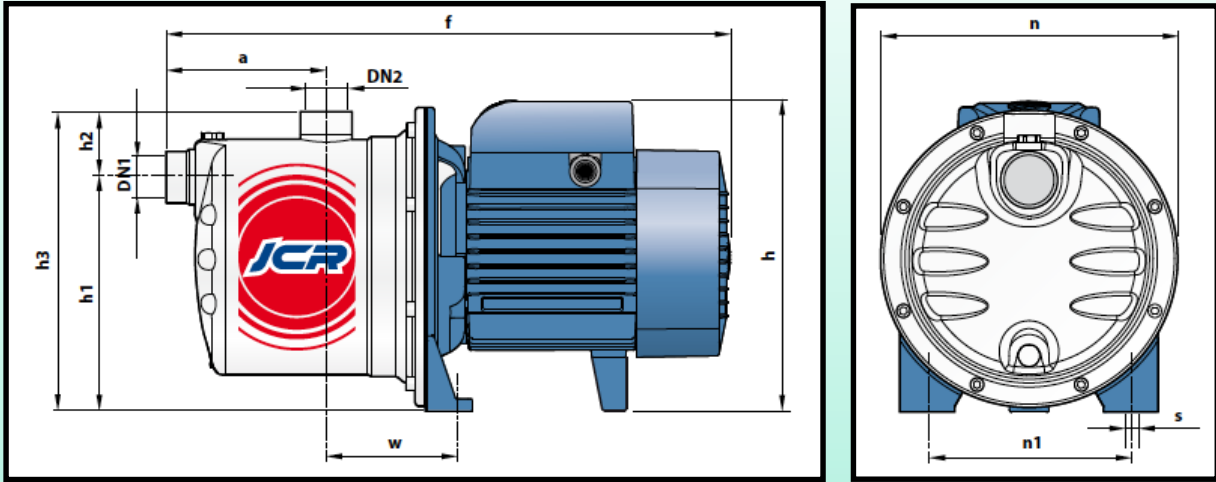
60µF—300 VL

9 ELECTRIC MOTOR JCRm: single phase 230V—50 Hz with thermal overload protector incorporated into the winding.



Dimensions: mm Long x mm Wide x mm High

DIMENSIONS AND WEIGHT



PORTS		DIMENSIONS mm										kg	
DN1	DN2	a	f	h	h1	h2	h3	n	n1	w	s	1~	3~
1"	1"	111	393	217	162	46	208	208	142	91	10	11.5	11.5